

M12 MALE 90°

PUR 5X0.34 YELLOW, UL/CSA, drag ch 10m

Male 90°

M12, 5-pole

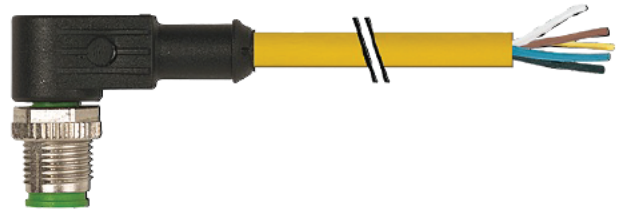
Art-No. 7005 - M12 L te - (p ast c hexagona screw) on request

w th cab e s eeves

P ast c hous ngs w th good res stance aga nst chem ca s and o s.

The res stance to aggress ve med a shou d be nd v dua y tested for your app cat on. Further deta s on request.

Further cab e engths on request.

[Link to Product](#)**Illustration**

Male



Product may differ from image

Approvals

* only for products with UL/CSA approved cable

cCSAus

EAC

Form

Form 2 2

General data

Standards D N EN 6 076 2 0 (M 2)

Pollution Degree 3

Temperature range 25 +85 °C depending on cable quality

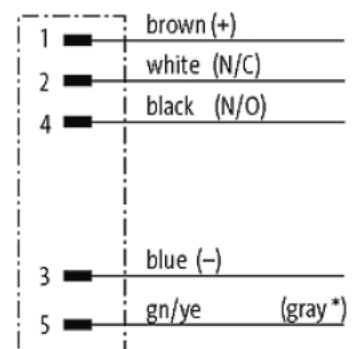
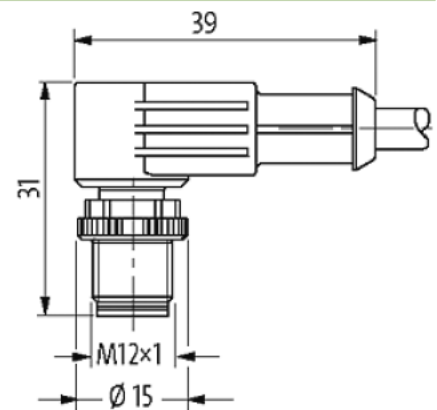
Cables

No /diameter of wires	5× 0.34 mm ²
Wire isolation	PP (br wh bl bk gnye)
C track properties	0 Mio
Material (jacket)	PUR (UL/CSA)
Outer Ø	4.8 mm 5%
Bend radius (moving)	0× outer Ø
Temperature range (fixed)	40 +80 °C
Temperature range (mobile)	25 +80 °C
Cable identification	035
Cable Type	3 (PUR)
Approval (cable)	cURus (AWM Style 20549/ 0493); CE conform
Cable weight [g/m]	4.80
Material (wire)	Cu wire bare
Resistor (core)	max 57 Ω/km (20 °C)
Single wire Ø (core)	0 mm
Construction (core)	42× 0 mm (multi strand wire class 6)
Diameter (core)	5× 0.34 mm ²
AWG	similar to AWG 22
Material (wire isolation)	PP
Material property (wire isolation)	CFC halogen cadmium silicone and lead free
Shore hardness (wire isolation)	70 5 D
Wire Ø incl isolation	2.5 mm 5%
Color/numbering of wires	br bk bl wh gnye longitudinally striped
Stranding combination	5 wires twisted around central filler
Shield	no
Material (jacket)	PUR
Material property (jacket)	CFC halogen cadmium silicone and lead free matt low adhesion machine easy to process abrasion resistant hydrolysis and microbial resistant
Shore hardness (jacket)	90 5 A
Outer Ø (jacket)	4.8 mm 5%
Color (jacket)	yellow
chemical resistance	good resistance to oil gasoline and chemicals (EN 608 404)
thermal resistance	flame retardant UL 58 VW / CSA FT / EC 60332 EC 60332 2 2
Nominal voltage	300 V AC
Test voltage	2500 V AC
Current load capacity	to D N VDE 0298 4
Temperature range (fixed)	40 +80 °C (+90 °C at max 0 000 operating hours)
Temperature range (mobile)	25 +80 °C (+90 °C at max 0 000 operating hours)
Bend radius (fixed)	5× outer Ø
Bend radius (moving)	0× outer Ø
No of bending cycles (C track)	max 0 Mio (25 °C)
Travel speed (C track)	max 3 m/s
Acceleration (C track)	max 0 m/s ²
Torsion stress	80°/m
No of torsion cycles	max 2 Mio (25 °C)
Torsion speed	35 cycles/min
Jacket Color	yellow
Technical Data	
Operating voltage	max 25 V AC/DC

Operating voltage (only UL listed)	max 30 V AC/DC
Rated surge voltage	5 kV
Operating current per contact	max 4 A
Material group	EC 60664 category
Coding	A coded
Locking of ports	Screw thread (M 2x mm) recommended torque 0.6 Nm self securing
Compression gland	M 2 (SW 3)
Protection	P65 P66K P67 inserted and tightened (EN 60529)
Locking material	Zinc die casting matte nickel plated
Material	PUR
suitable for corrugated tube (internal Ø)	0 mm

Commercial data

country of origin	CZ
customs tariff number	85444290
EAN	40488792 53 2
eClass	272792 8
Packaging unit	

Sketch

(* for cable type 126, 732, 219, 619)

Produced by Murr Elektronik